

# TECHNICAL DATA SHEET

## UPM Euca

Bleached Eucalyptus Kraft Pulp

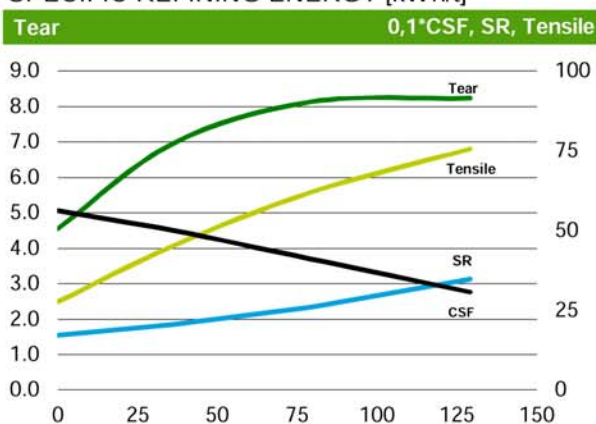
Pulp mill: UPM Fray Bentos

Date of issue: 1.3.2015

### PULP CHARACTERISTICS

	Typical value	Spec
Brightness, ISO % ISO 2470-1	<b>90.2</b>	<b>89-92</b>
Impurities, mm <sup>2</sup> /kg ISO 5350	<b>1.1</b>	<b>≤ 5</b>
Extractives SCAN-CM 49:93	<b>0.1</b>	<b>≤ 0,2</b>
Ash content ISO 1762	<b>0.4</b>	<b>≤ 0,7</b>
pH ISO 6588	<b>5.7</b>	<b>5,0-7,0</b>

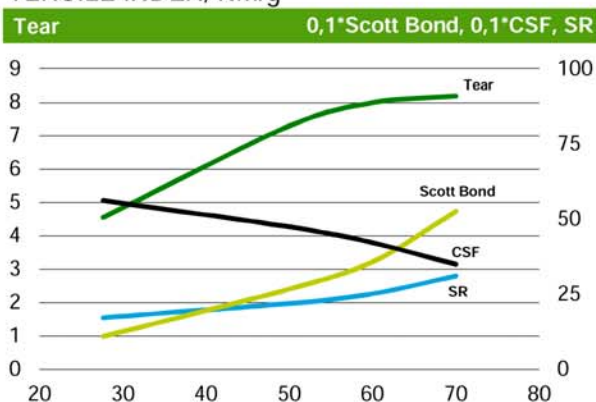
### SPECIFIC REFINING ENERGY [kWh/t]



### FIBRE CHARACTERISTICS

	Typical value
Fibre length, mm Kajaani FiberLab	<b>0.77</b>
Coarseness, mg/m Kajaani FiberLab	<b>0.067</b>

### TENSILE INDEX, Nm/g



### RAW MATERIAL

#### Hardwood

- Eucalyptus 100%
- E. Grandis
  - E. Dunnii
  - E. Maidenii
  - E. Globulus

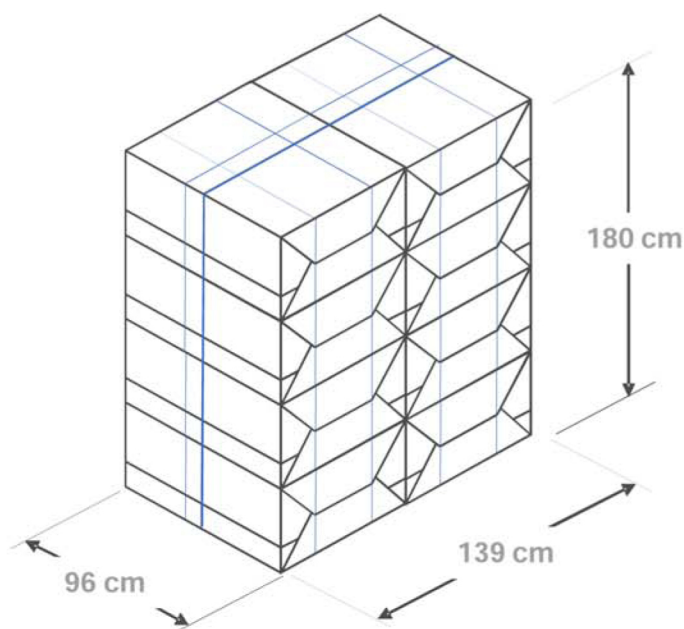
Specific Refining Energy	CSF	SR number	Tensile index	Stiffness index	Tear index	Scott Bond	Bulk	Opacity	Air res.
kWh/t	ml		Nm/g	Nm/g	mNm <sup>2</sup> /g	J/m <sup>2</sup>	cm <sup>3</sup> /g	%	s
0	562	17	28	4.4	4.6	109	1.70	78.8	2.2
36	500	20	45	5.7	7.0	224	1.54	76.7	3.7
79	411	26	62	6.7	8.1	375	1.43	74.9	9.3
129	307	35	76	7.4	8.2	630	1.33	73.2	29.8
32	508	20	43	5.6	6.7	210	1.56	76.9	3.5
73	424	25	59	7	8	353	1.44	75.2	8.4
102	363	30	68	7	8	495	1.38	74.1	19
48	475	22	50	6.0	7.3	267	1.51	76.2	5.3
74	422	25	60	6.6	8.0	358	1.44	75.1	8.6
109	350	31	70	7.1	8.2	526	1.37	73.9	21.4

Typical values are averages from all mill quality control samples during 2014. They are given in good faith to represent mill performance and do not constitute contractual undertaking. Values in the table are mean (indicative) values from pulp testing with Voith-Sulzer refining, using standard water. Specific Edge Load 0,5 J/m, ISO testing methods, climate 50%.

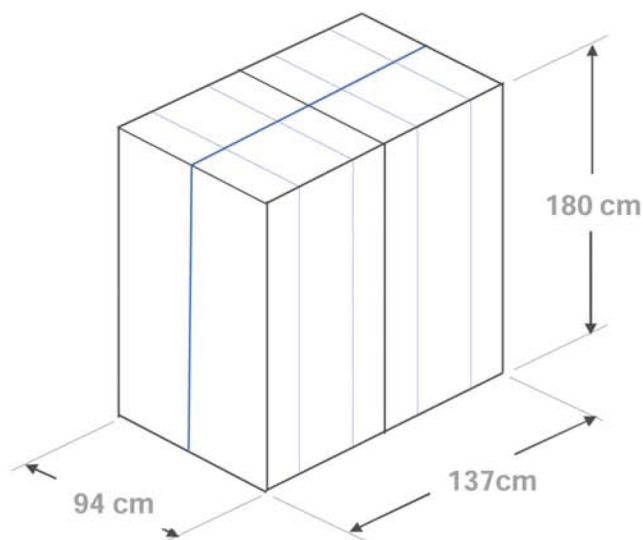


## UPM Euca

### Export Unit Configuration



### Jumbo Unit Configuration



Sheets	
Size:	92 x 67 cm
Grammage:	1000 - 1200 g/m2

### Export Unit Configuration

Bales	
Size:	96 x 69 x 45 cm
Weight:	250 kg
Wrapping:	Pulp sheets (unwrapped on demand)
Markings:	Green watersoluble inkjet printing. Country, company name, product code and bale number on both sides.
Wires:	3 galvanized wires, diameter 2,3 mm.

Units	
Size:	96 x 139 x 180 cm
Weight:	2000 kg (8x250 kg)
Wires:	7 galvanized wires, diameter 3,0 mm

### Jumbo Unit Configuration

Big bale	
Size:	94 x 68 x 180 cm
Weight:	1000 kg
Wrapping:	no
Markings:	Green watersoluble inkjet printing. Country, company name, product code and bale number on both sides.
Wires:	2 galvanized wires, diameter 2,3 mm.

Big bale units	
Size:	94 x 137 x 180 cm
Weight:	2000 kg (2x1000 kg)
Wires:	7 galvanized wires, diameter 3,0 mm



POTG  
Pacific Ocean Trading Group

#### Iran Office:

Tel: +98.21.8848.2592  
Fax: +98.21.8848.2573  
Email: SALES@POTGCO.COM

#### UAE Office:

Mob:+971.50 475 2245  
Tel: +971.4427.8682  
Fax: +971.4430.9196

#### Canada Office:

Tel: +1.604.377.6000  
Fax: +1.604.357.1599